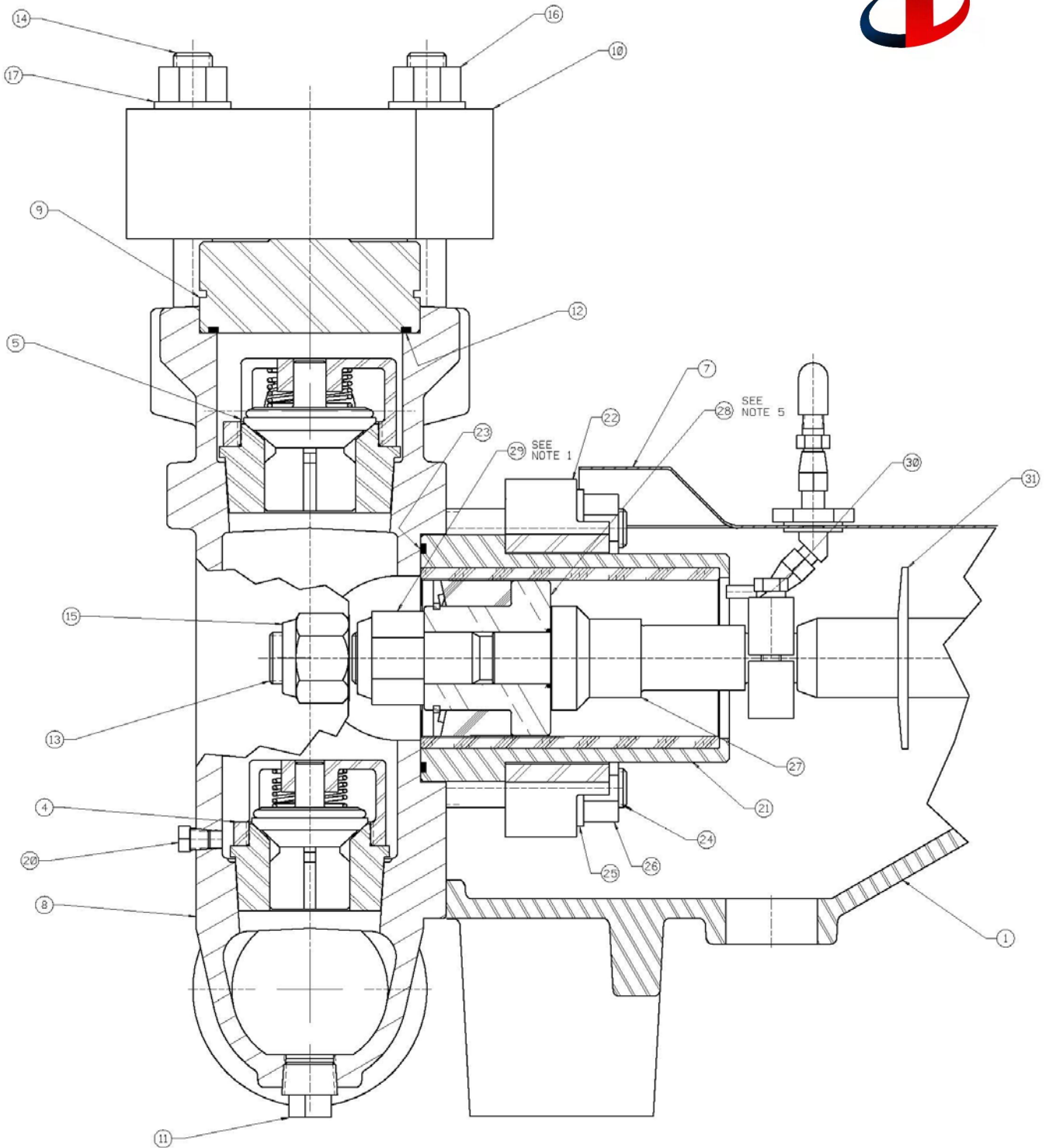


FMC M1224 FLUID END PARTS LIST



Item	Qty	Description	FMC pn	SiteTec pn
1	1	Power end assembly	3265542	-
2	1	Fluid cylinder group	3265131	-
3	3	Cylinder piston group	3269109	-
4	3	Valve assembly suction *	5271408	205128
5	3	Valve assembly discharge *	5271407	205129
6	1	Lid kit	5266236	-
7	1	Cover: w/wash manifold	P508452	-
8	1	Fluid cylinder	3265130	-
9	3	Valve cover	5264826	206312
10	3	Valve cover clamp	5262885	206342
11	3	Plug ¾" pipe SST	320071	-
12	3	Valve cover O-ring	320316	206311
13	2	Stud 1-8 UNC-2A x 4.63 LG SST	5266592	-
14	6	Stud ¾ -10 UNC-2A x 6.13 LG SST	5262886	206701
15	2	Hex nut 1-8 SST	320443	-
16	6	Hex nut ¾ -10 SST	1109316	206344
17	6	Flat washer ¾" SST	320951	-
18	2	Cap lug int. 24S (not shown)	1177204	-
19	2	Cap lug int. 501 (not shown)	1120444	-
20	3	Plug 1/8" NPT SST	320279/P501267	-
21	3	Cylinder / Liner ceramic	3269116	206307
22	3	Cylinder / Liner clamp	3269112	206308
23	3	Cylinder / Liner O-ring	320315	206309
24	6	Stud ¾ -10 UNC-2A x 4.63 LG SST	3264864	206706
25	6	Flat washer ¾" SST	320951	-
26	6	Hex nut ¾" -10 SST	1109316	206344
27	3	Piston rod	3269110	206306
28	3	Piston 3" **	3269111/P504834	-
29	3	Locking hex nut	3269115	206310
30	3	Piston rod clamp assembly	1252143	206305
31	3	Shield deflector	5262851	206343

* replaced by SiteTec special

** Piston parts are

Item	Qty	Description	FMC	SITETEC
28	3	Piston Complete 3"		205101
28	3	Piston Rubber 3"		205110

(- does not mean it is not available!)